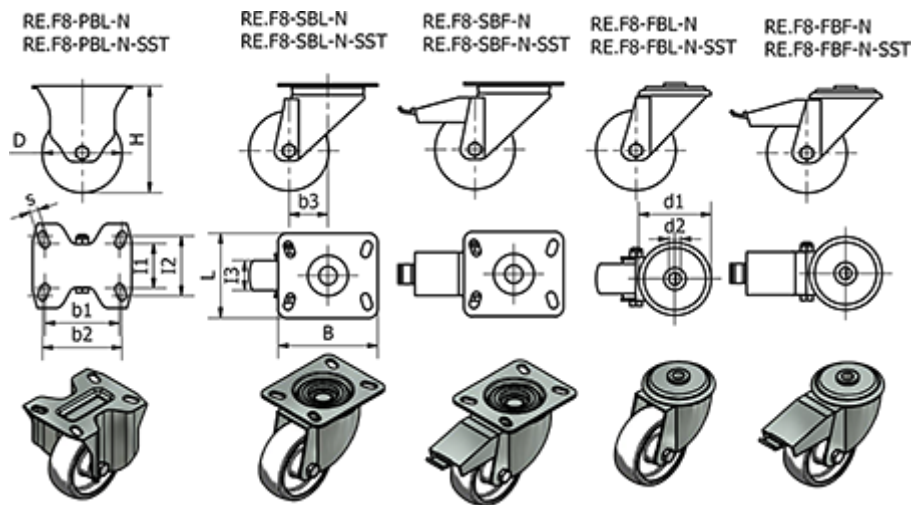


Article number: 2314450689

Description: E+G polyamide wheel

RE.F8-150-FBL-N - Turning plate wo/brake in Zinc-plated steel

Measures



= -	d2	= 20	Rolling resistance (N) = 2500
B =	Dynamic carrying capacity (N) = 3000		s =
b1 =	H	= 188	Type = RE.F8-150-FBL-N
b2 =	l1	=	Wight (g) = 1570
b3 = 56	l2	=	
Code = 450689	l3	= 45	
D = 150	L	=	
d1 = 102	R	= -	